

ULS-1 Single Point Level Switches

- ▶ Compact 1/4" and 1/2" NPT versions
- ▶ All-Stainless Steel wetted materials
- ▶ IP68 construction for tanks or sumps

Gems ultrasonic switches are an excellent choice for a broad range of liquids including those with light coating or scaling type characteristics.

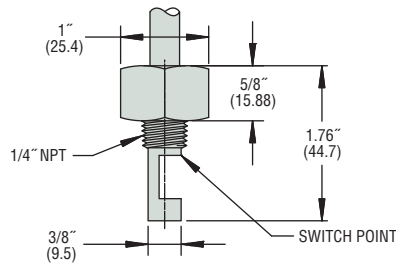
Relay output provides a reliable switch interface with remote devices such as a PLC, SCADA or alarm.

Specifications

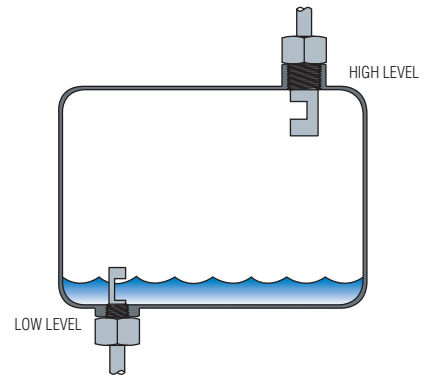
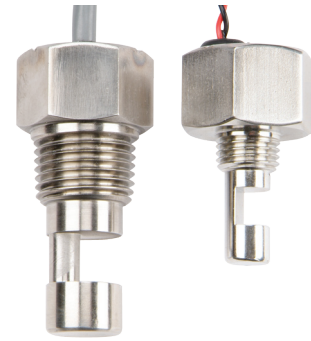
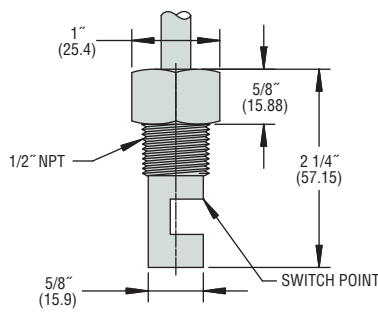
Wetted Material	316L Stainless Steel
Repeatability	2 mm (or better)
Protection	Transient Reverse Polarity
Leakage Current	<50µA
Delay	0.5 seconds
Input Power	5 VDC to 30 VDC
Output	See Ordering Table

Dimensions

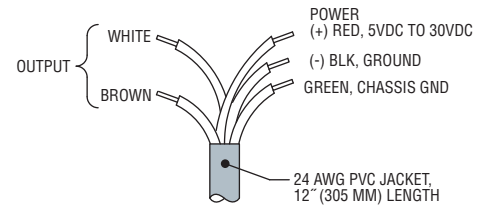
1/4" NPT Mounting



1/2" NPT Mounting



Wiring



How To Order

Select a Part Number based on Mounting Size and Output.

Mounting Size	Electronic Output	Part Number
1/4" NPT	Wet Sink	220901
	Wet Source	220902
	1A SPST Relay, Normally Closed	220903
1/2" NPT	Wet Sink	221485
	Wet Source	221486
	1A SPST Relay, Normally Closed	221487

Note: Other Electronic Output options are available. Please contact Gems.

Wiring Direct to a Load

N.C. Operation (Relay Signal Output)

